



200W LED Flood Light

Optical Parameters

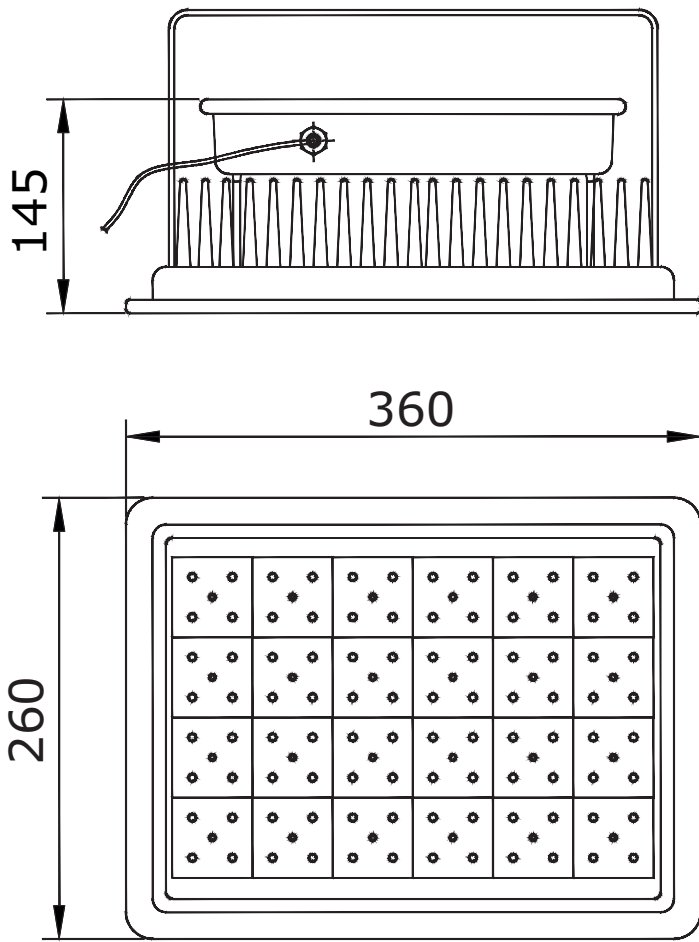
Color Temperature	• 6500°K
Optics Beam Angle	• 60° to 90°
Light Source Type	• Power LED
LED Make	• Osram /Brigellux
Total Lumens	• 25000 lm
Lumens /Watt	• 125 lm/W
CRI	• ≥ 70
Working Temperature	• 10°C to +50°C

Mechanical Parameters

Application	• Indoor /Outdoor Application
Housing Material	• Pressure Die Cast Aluminium
Powder Coat Color	• Gray
Glass	• High Quality PC Glass
IK Rating	• IK08
Mounting Type	• Bracket Mount/ Hangging
IP Rating	• IP 66
Hardware	• Stainess Steel Hardware in Grade 304


Electrical Parameters

Rated Power (W)	• < 200W
Control Gear Input Voltage Range	• 140V AC to 270V AC
Control Gear Input Rated Voltage	• 230V AC
Power Factor	• >0.95
Frequency	• 50Hz
Control Gear Surge Protection	• 4KV (10KV External)
Electrical Safety Class	• Class 1
Burning Life at L70@ 50 °C	• 50,000 hrs
THD	• <10%
Control Gear Efficiency	• >85%



Flood Light 200W

Item Name : LED Flood Light 200W	
Dimensions:	
Length	: 360mm ±2mm
Width	: 260mm ±2mm
Height	: 145mm ±2mm

		INSTAPOWERR LTD.			
		103, Raipur Industrial Area, Bhagwanpur, 15.5Km, Roorkee-Dehradun Highway, Uttarakhand-247661 India			
PREPARED BY	PAWAN	REVIEWED BY	A.P	APPROVED BY	M.S
CUSTOMER APPROVAL	TITLE GA DRAWING (Flood Light -200W)				
	23.09.2025	FIRST ISSUE		DWG. No.	
	No.	DATE	DESCRIPTION	DOC. NO.	
	REVISION				